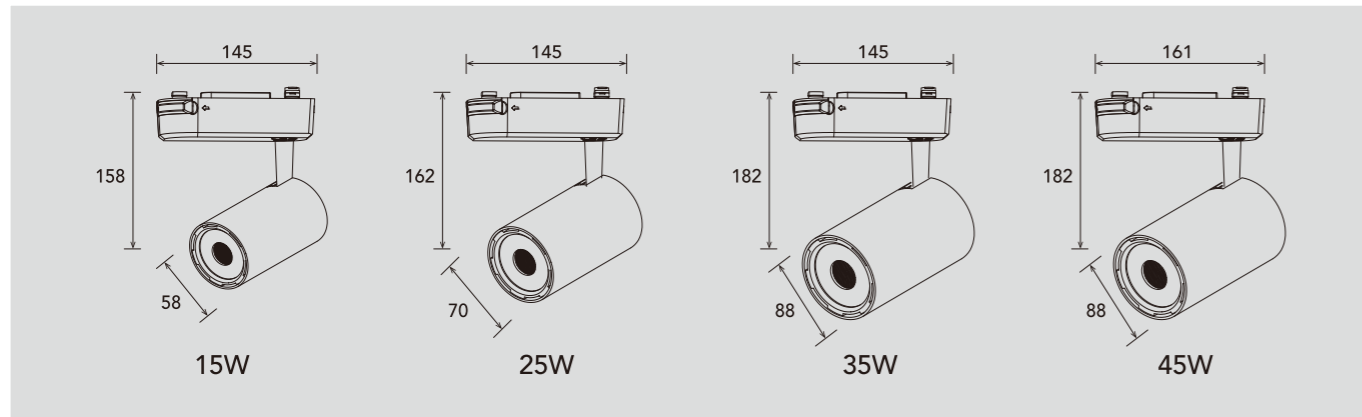


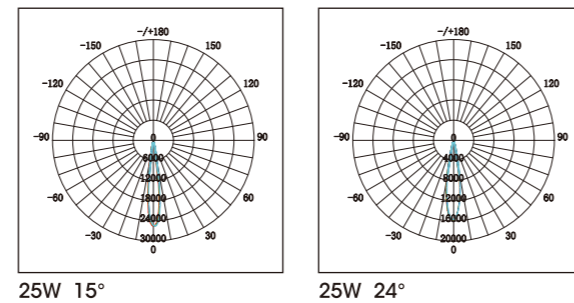
LED TRACK LIGHT



APPLICATION



Voltage: AC90-265V 50/60Hz
 CRI: ≥80
 CCT: 3000/4000/5000K
 Lifetime: 25000hrs
 Type: 2/3Wire
 Operating temp: -20°C ~40°C

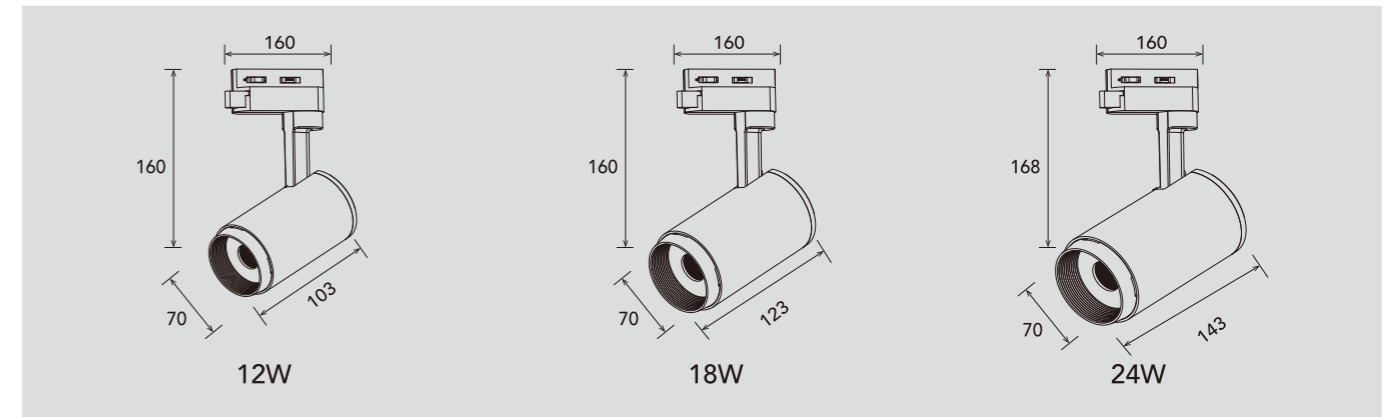


Code	Power (W)	Lumen (lm)	Colour	Beam Angle	Packing QTY (pcs/CTN)
FST903 15W	15	1150/1175/1200	BLACK	24°/ 38°	20
FST903 25W	25	1800/1900/2000	BLACK	15°/24°	20
FST903 35W	35	2600/2700/2800	BLACK	15°/24°	20
FST904 15W	15	1150/1175/1200	WHITE	24°/ 38°	20
FST904 25W	25	1800/1900/2000	WHITE	15°/24°	20
FST904 35W	35	2600/2700/2800	WHITE	15°/24°	20

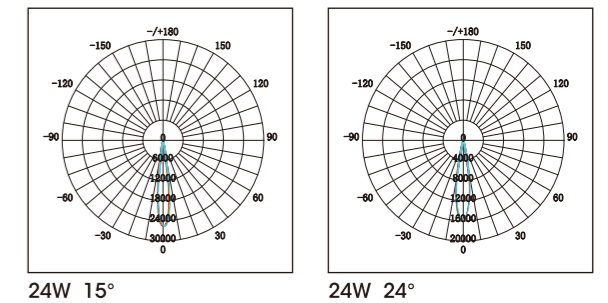
LED TRACK LIGHT



APPLICATION



Voltage: AC180-265V 50/60Hz
 CRI: ≥80
 CCT: 3000/4000/5000/6500K
 Lifetime: 25000hrs
 Type: 2/3Wire
 Operating temp: -20°C ~40°C



Code	Power (W)	Lumen (lm)	Colour	Beam Angle	Packing QTY (pcs/CTN)
FST104A1BK-12	12	800/900/1000/1000	BLACK	15°/24°	20
FST104A1BK-18	18	1300/1400/1500/1500	BLACK	15°/24°	20
FST104A1BK-24	24	1800/1900/2000/2000	BLACK	15°/24°	20
FST104A1WH-12	12	800/900/1000/1000	WHITE	15°/24°	20
FST104A1WH-18	18	1300/1400/1500/1500	WHITE	15°/24°	20
FST104A1WH-24	24	1800/1900/2000/2000	WHITE	15°/24°	20



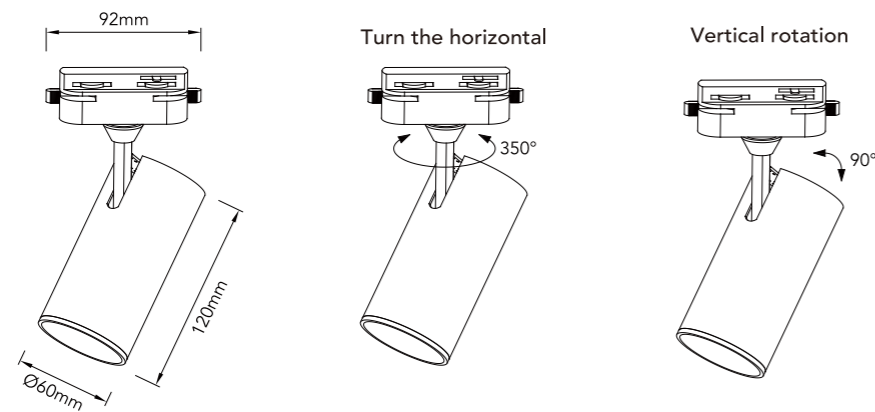
LED TRACK LIGHT

APPLICATION

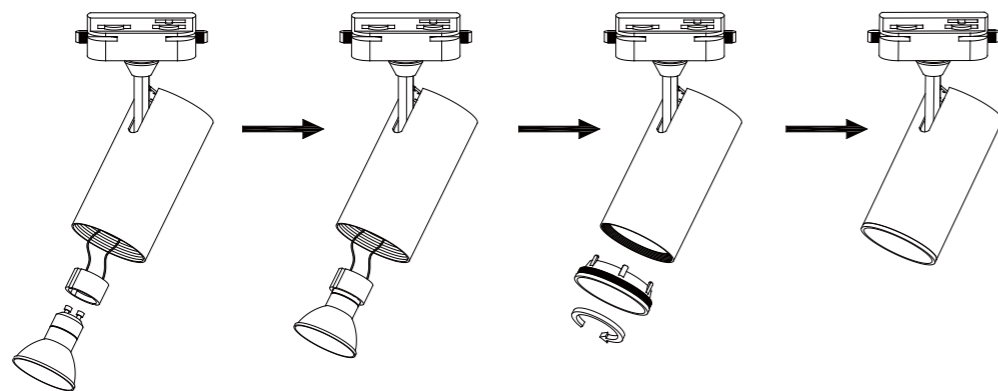


Code:
FST109 GU / FST109 MR
Options:
Choice of MR16 or GU10

SIZE



INSTALLATION INSTRUCTION



Replaceable light source

LED SPOTLIGHT



FST110A

Track mounted



FST111A

Suspended mounted



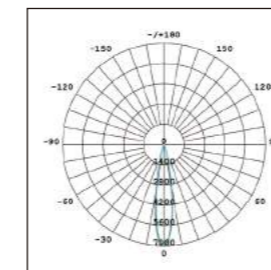
FST111B

Ceiling mounted

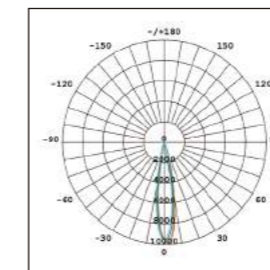


FST111C

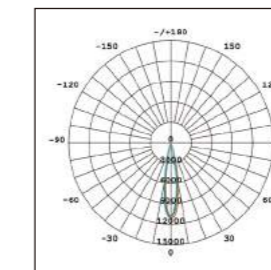
Wall mounted



12W



18W



24W



Code	Voltage	Power (W)	Lumen(lm) 3000/4000/6500K	Beam angle	Colour	Type	Size (mm)	Packing QTY (pcs/CTN)
FST110A 12W	AC180-265V	12	960/1000/1000	15°/24°	Black	2/3Wire	109x70x160	20
FST110A 18W	AC180-265V	18	1250/1400/1400	15°/24°	Black	2/3Wire	123x70x160	20
FST110A 24W	AC180-265V	24	1700/1920/1920	15°/24°	Black	2/3Wire	144.5x70x160	20
FST110B 12W	AC180-265V	12	960/1000/1000	15°/24°	White	2/3Wire	109x70x160	20
FST110B 18W	AC180-265V	18	1250/1400/1400	15°/24°	White	2/3Wire	123x70x160	20
FST110B 24W	AC180-265V	24	1700/1920/1920	15°/24°	White	2/3Wire	144.5x70x160	20
FST111A-12W	AC220-240V	12	960/1000/1000	24° (15°/38°)	Black	/	126x70x70	/
FST111A-18W	AC220-240V	18	1250/1400/1400	24° (15°/38°)	Black	/	140x70x70	/
FST111A-24W	AC220-240V	24	1700/1920/1920	24° (15°/38°)	Black	/	161x70x70	/
FST111B-12W	AC220-240V	12	960/1000/1000	24° (15°/38°)	Black	/	103x70x70	/
FST111B-18W	AC220-240V	18	1250/1400/1400	24° (15°/38°)	Black	/	118x70x70	/
FST111B-24W	AC220-240V	24	1700/1920/1920	24° (15°/38°)	Black	/	138x70x70	/
FST111C-18W	AC220-240V	18	1250/1400/1400	24° (15°/38°)	Black	/	121x70x128	/
FST111C-24W	AC220-240V	24	1700/1920/1920	24° (15°/38°)	Black	/	141x70x128	/