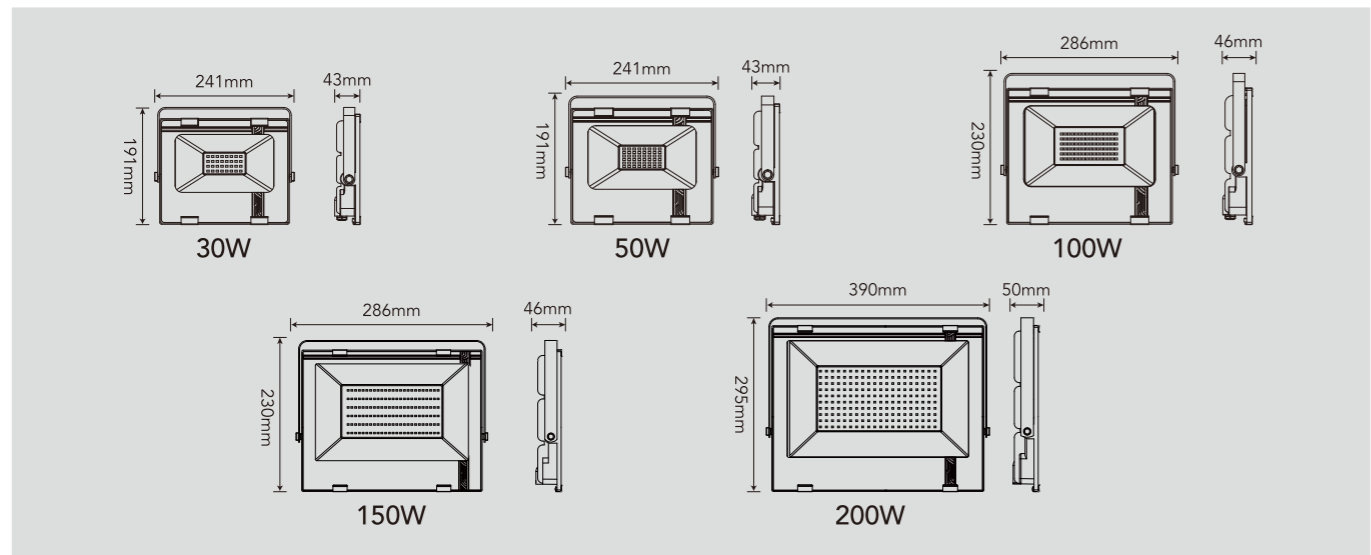
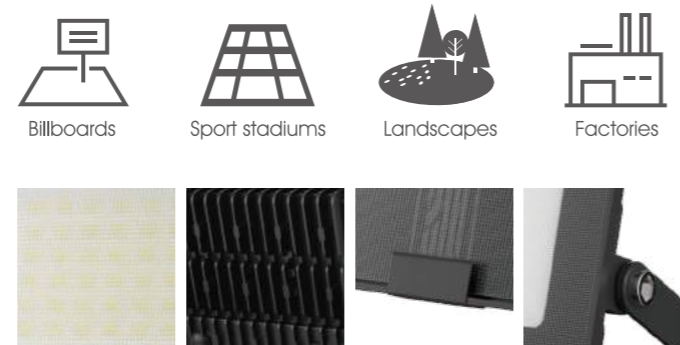


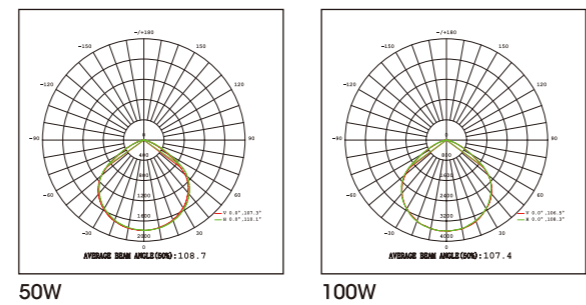
# LED FLOOD LIGHT



## APPLICATION



Voltage: AC90-265V 50/60Hz  
 PF: 0.5  
 Lifetime: 30000hrs  
 IP: IP66  
 Surge Protection: 4kV~6kV  
 Operating temp: -40°C~50°C

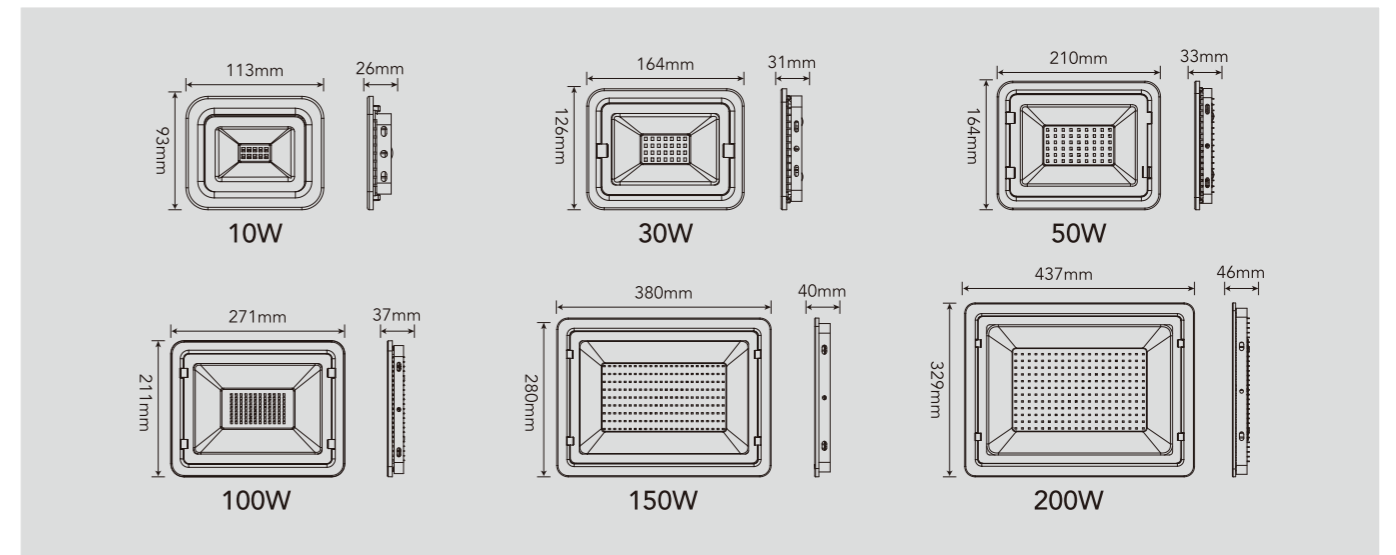


Code	Power (W)	Lumen(lm) 3000/4000/6500K	Beam Angle	Packing QTY (pcs/CTN)
FSF81002-30	30	2430/2700/2700	115°	10
FSF81002-50	50	4050/4500/4500	115°	10
FSF81002-100	100	8100/9000/9000	115°	10
FSF81002-150	150	12150/13500/13500	115°	5
FSF81002-200	200	16200/18000/18000	115°	5

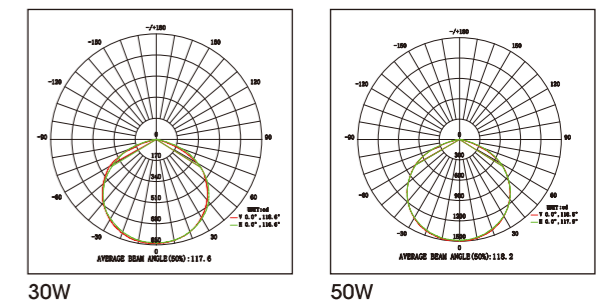
# LED FLOOD LIGHT



## APPLICATION



Voltage: AC220-240V 50/60Hz  
 PF: 0.9  
 Lifetime: 15000hrs  
 IP: IP65  
 Surge Protection: 2.5kV  
 Operating temp: -40°C~50°C

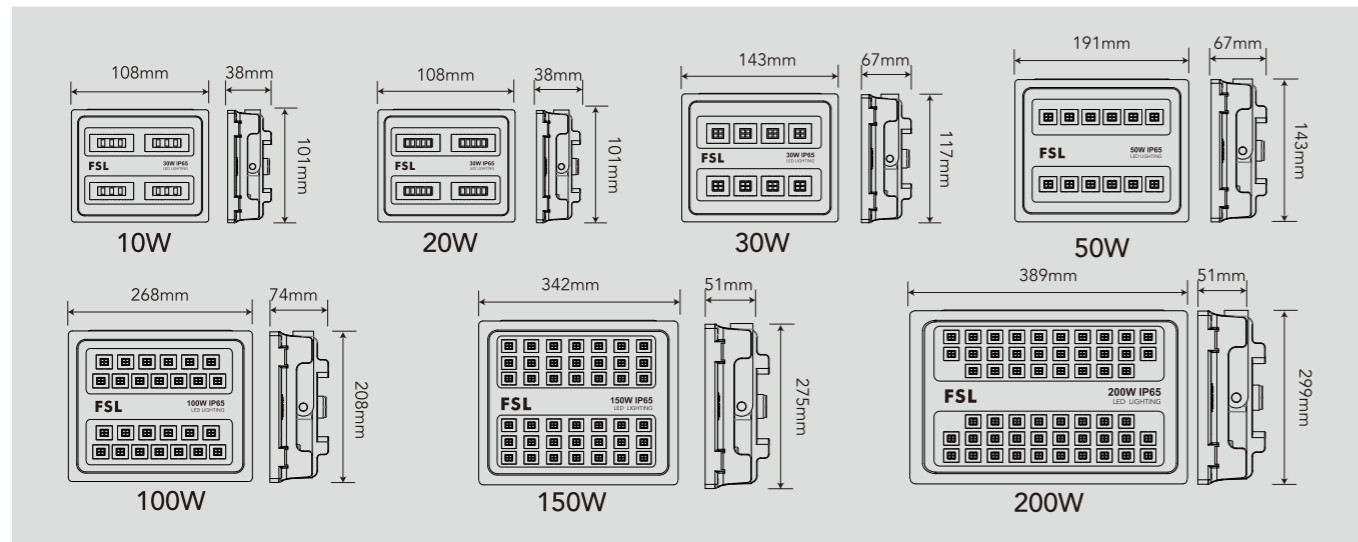


Code	Power (W)	Lumen(lm) 3000/4000/6500K	Beam Angle	Packing QTY (pcs/CTN)
FSF809B1-10W	10	720/800/800	115°	40
FSF809B1-30W	30	2160/2400/2400	115°	20
FSF809B1-50W	50	3600/4000/4000	115°	20
FSF809B1-100W	100	7200/8000/8000	115°	10
FSF809B1-150W	150	10800/12000/12000	115°	5
FSF809B1-200W	200	14400/16000/16000	115°	5

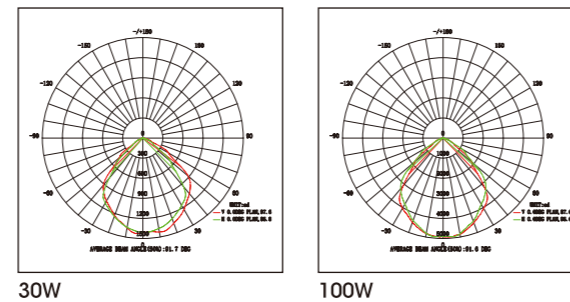
# LED FLOOD LIGHT



## APPLICATION



Voltage:	AC180-265V 50/60Hz
PF:	0.9
Lifetime:	25000hrs
IP:	IP65
Surge Protection:	4kV
Operating temp:	-40 °C ~ 50 °C

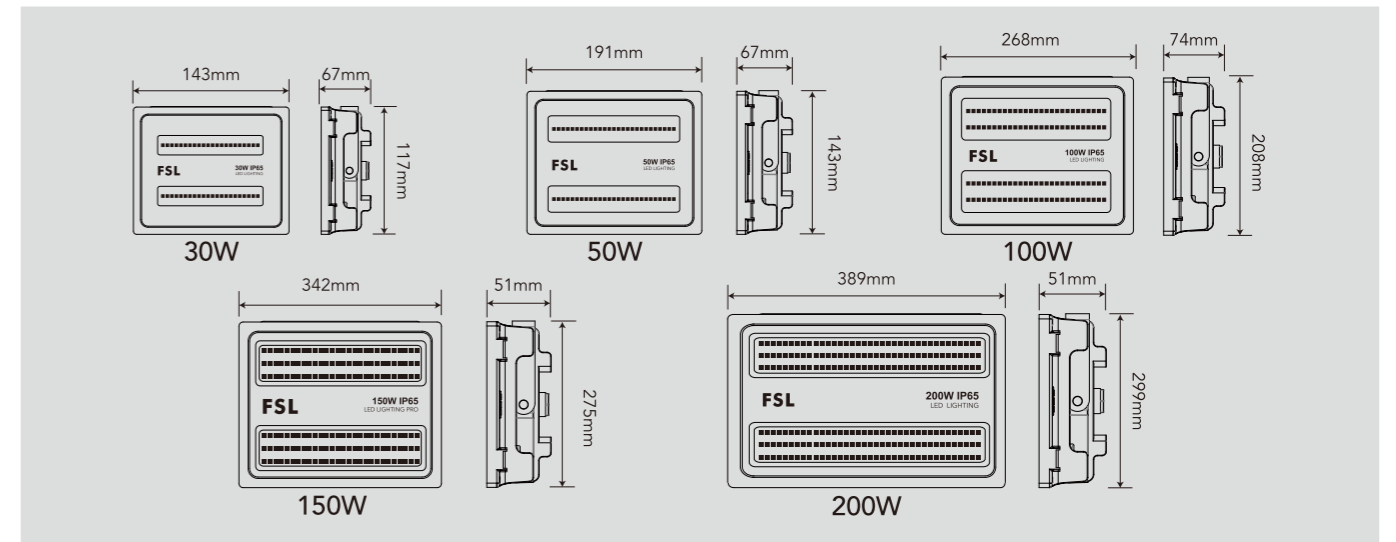
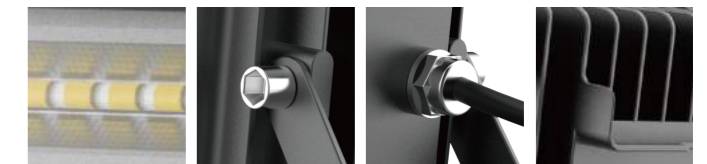
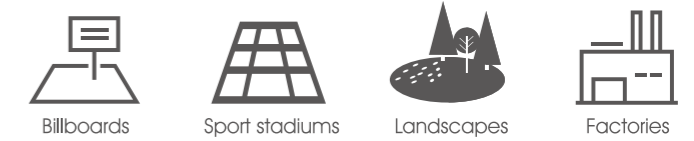


Code	Power (W)	Lumen(lm) 3000/4000/6500K	Beam Angle	Packing QTY (pcs/CTN)
FSF808A1-10	10	800/900/900	85°x90°	40
FSF808A1-20	20	1600/1800/1800	85°x90°	40
FSF808A1-30	30	2700/3000/3000	85°x90°	20
FSF808A1-50	50	4500/5000/5000	85°x90°	20
FSF808A1-100	100	9000/10000/10000	85°x90°	10
FSF808A1-150	150	13500/15000/15000	85°x90°	4
FSF808A1-200	200	18000/20000/20000	85°x90°	4

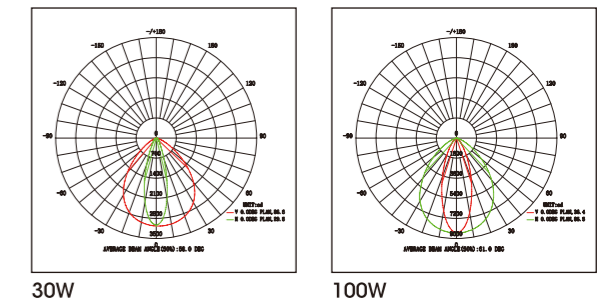
# LED FLOOD LIGHT



## APPLICATION



Voltage:	AC180-265V 50/60Hz
PF:	0.9
Lifetime:	25000hrs
IP:	IP65
Surge Protection:	4kV
Operating temp:	-40 °C ~ 50 °C

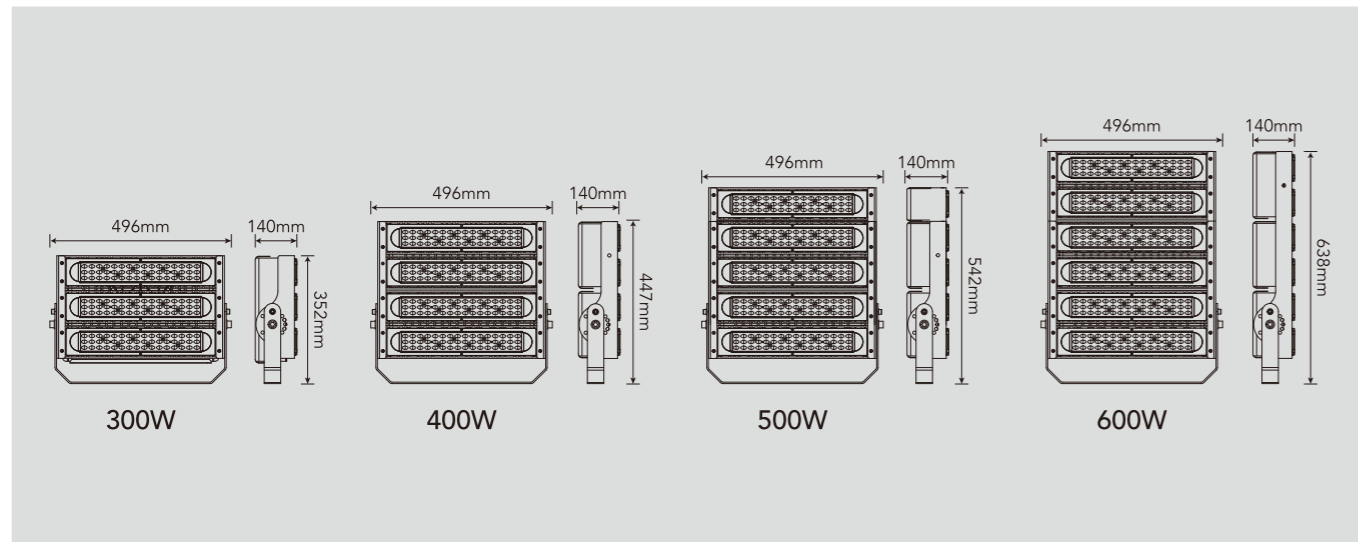
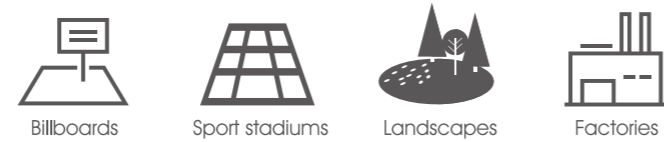


Code	Power (W)	Lumen(lm) 3000/4000/6500K	Beam Angle	Packing QTY (pcs/CTN)
FSF808A1-30P	30	2550/2850/2850	30°x80°	20
FSF808A1-50P	50	4250/4750/4750	30°x80°	20
FSF808A1-100P	100	8500/9500/9500	30°x80°	10
FSF808A1-150P	150	12800/14200/14200	30°x80°	4
FSF808A1-200P	200	17000/19000/19000	30°x80°	4

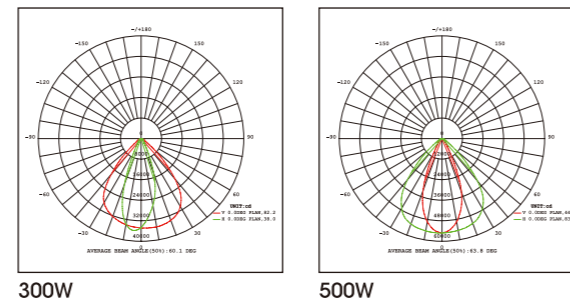
# LED FLOOD LIGHT



## APPLICATION



Voltage:	AC100-240V 50/60Hz
PF:	0.9
Lifetime:	25000hrs
IP:	IP65
Surge Protection:	4kV+10kV
Operating temp:	-40 °C ~ 50 °C

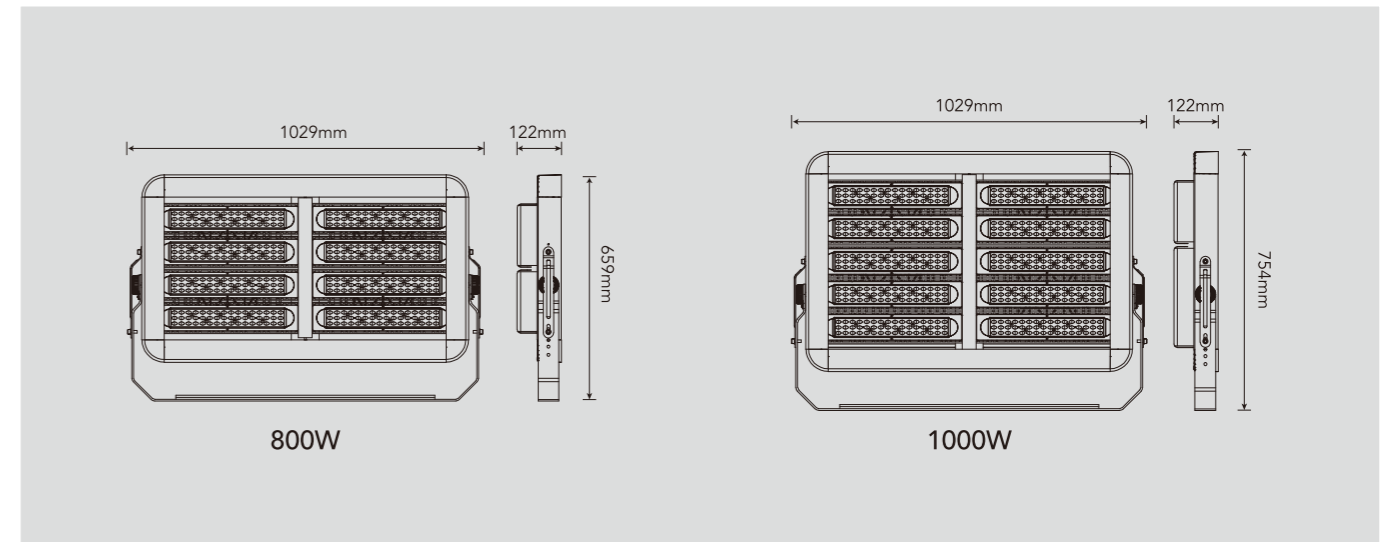
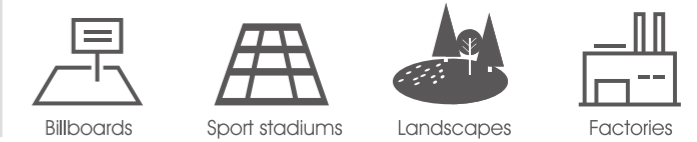


Code	Power (W)	Lumen(lm) 3000/4000/6500K	Beam Angle	Packing QTY (pcs/CTN)
FSF19G-300W	300	33000	60°/40°/85°	1
FSF19G-400W	400	44000	60°/40°/85°	1
FSF19G-500W	500	55000	60°/40°/85°	1
FSF19G-600W	600	66000	60°/40°/85°	1

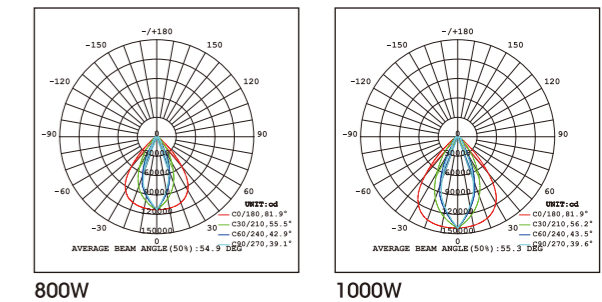
# LED FLOOD LIGHT



## APPLICATION



Voltage:	AC100-240V 50/60Hz
PF:	0.9
Lifetime:	25000hrs
IP:	IP65
Surge Protection:	4kV+10kV
Operating temp:	-40 °C ~ 50 °C



Code	Power (W)	Lumen(lm) 3000/4000/6500K	Beam Angle	Packing QTY (pcs/CTN)
FSF18G-800W	800	88000	60°/40°/85°	1
FSF18G-1000W	1000	110000	60°/40°/85°	1