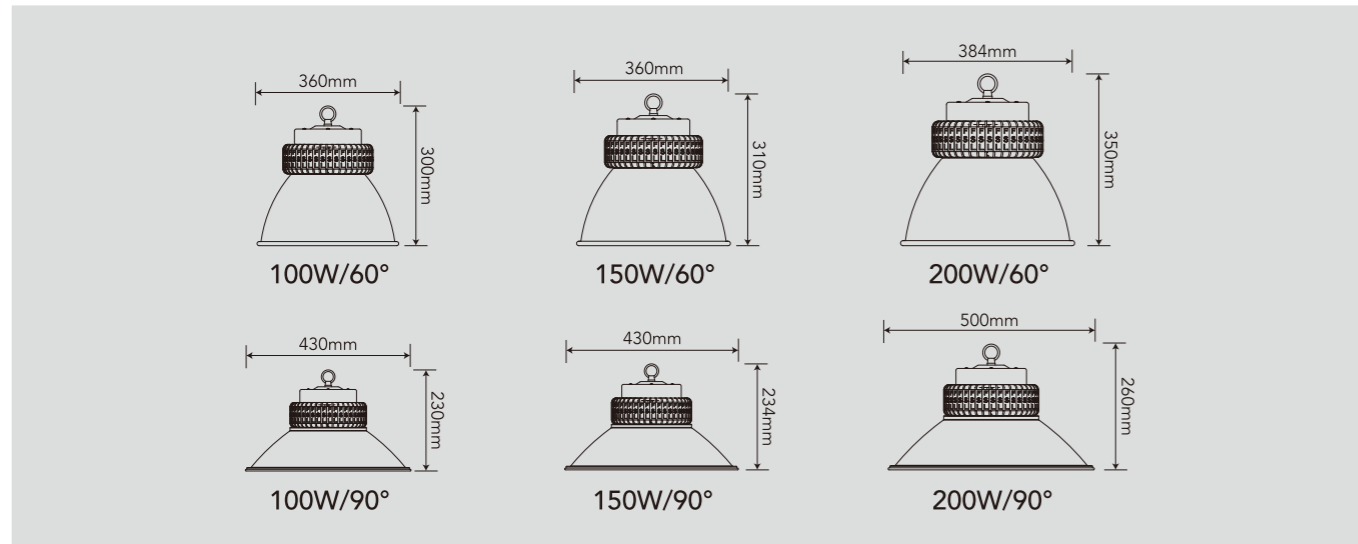


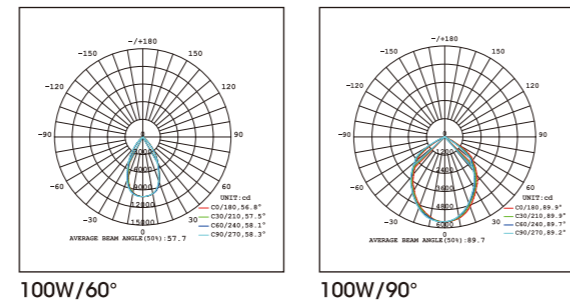
## LED HIGH BAY



### APPLICATION



PF: 0.95  
 CCT: 3000/4000/6500K  
 Lifetime: 25000hrs  
 IP: IP20  
 Operating temp: -20°C ~ 50°C

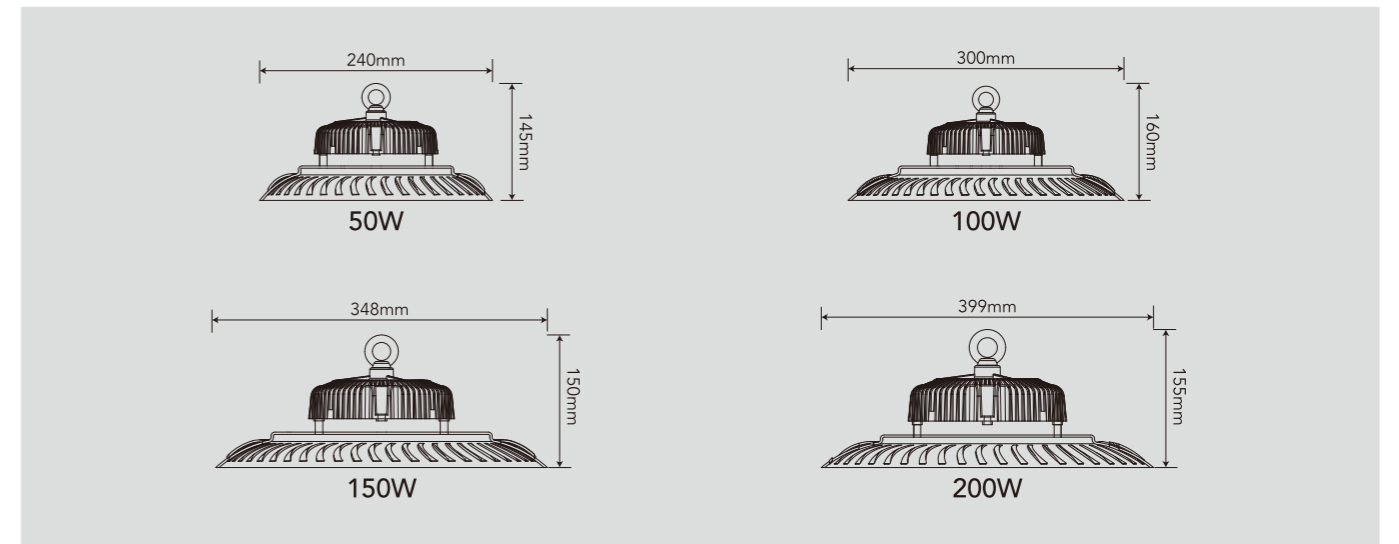


Code	Voltage	Power (W)	Lumen (lm)	Beam Angle	Packing QTY (pcs/CTN)
FSH80901-100	AC180-265V	100	9000/9500/9500	60°/90°	8/40
FSH80901-150	AC180-265V	150	13500/14250/14250	60°/90°	8/40
FSH80901-200	AC180-265V	200	18000/19000/19000	60°/90°	8/40
FSH80902-100	AC100-265V	100	9000/10500/10500	60°/90°	8/40
FSH80902-150	AC100-265V	150	15000/15700/15700	60°/90°	8/40
FSH80902-200	AC100-265V	200	20000/21000/21000	60°/90°	8/40

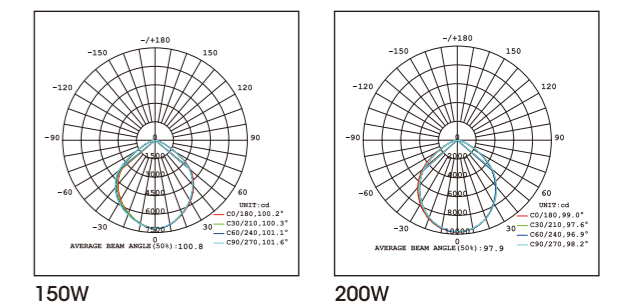
## LED HIGH BAY



### APPLICATION



Voltage: AC100-265V 50/60Hz  
 PF: 0.95  
 CCT: 3000/4000/5000/6500K  
 Lifetime: 15000hrs  
 IP: IP20  
 Operating temp: -20°C ~ 40°C



Code	Power (W)	Lumen (lm)	Beam Angle	Packing QTY (pcs/CTN)
FSH807A2-50	50	5000	90°	4
FSH807A2-100	100	10000	90°	4
FSH807A2-150	150	15000	90°	4
FSH807A2-200	200	20000	90°	4

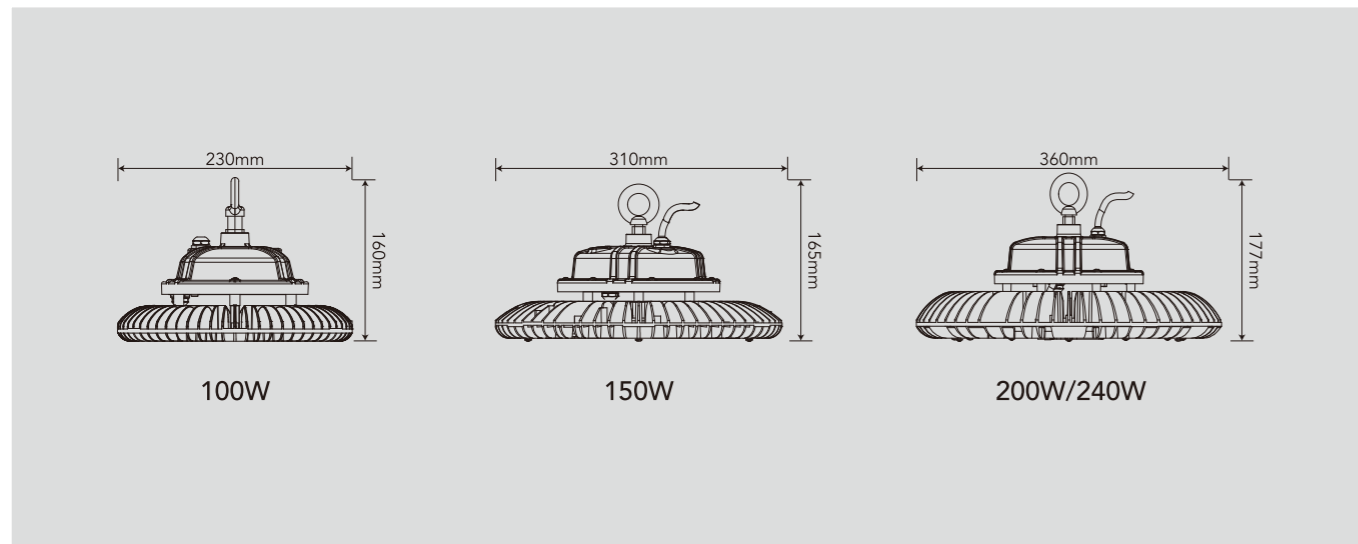
## LED HIGH BAY



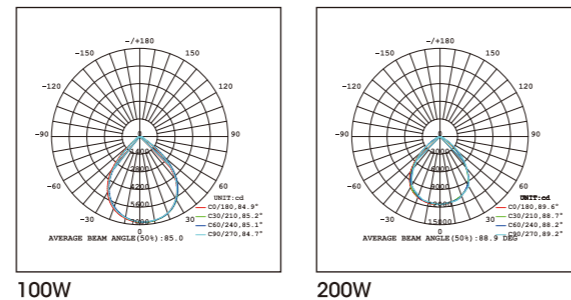
### APPLICATION



### Three accessories options



Voltage:	AC100-240V 50/60Hz
PF:	0.9
CCT:	3000/4000/6500K
Lifetime:	25000hrs
IP:	IP65
Operating temp:	-20°C ~ 50°C

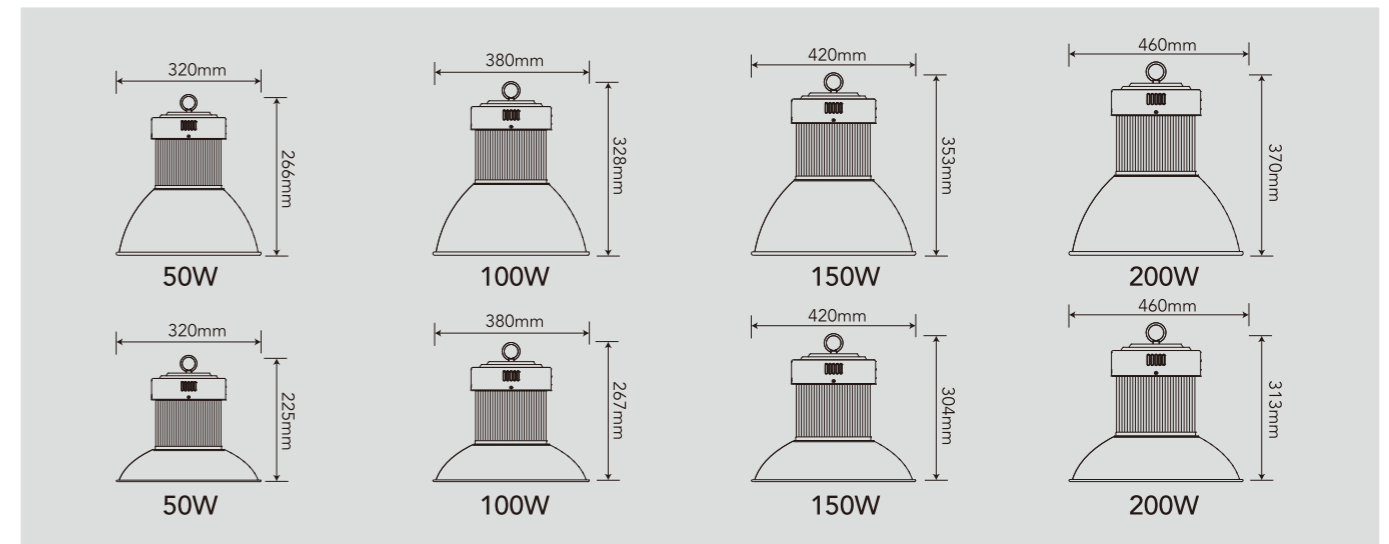
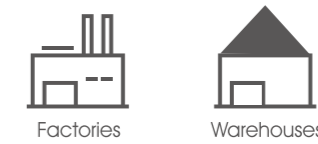


Code	Power (W)	Lumen (lm)	Colour	Beam Angle	Packing QTY (pcs/CTN)
FSH810A2-100	100	10000/10000/10000	Black/Grey	90°	4
FSH810A2-150	150	15000/15000/15000	Black/Grey	90°	2
FSH810A2-200	200	20000/20000/20000	Black/Grey	90°	2
FSH810A2-240	240	24000/24000/24000	Black/Grey	90°	2

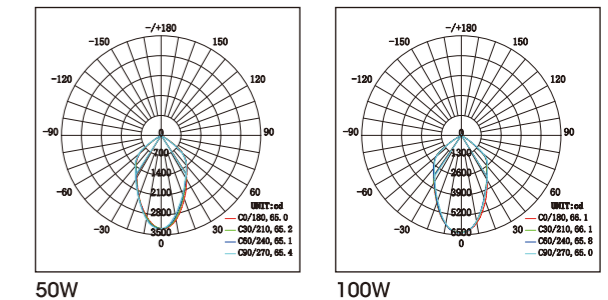
## LED HIGH BAY



### APPLICATION



Voltage:	AC90-265V 50/60Hz
PF:	0.95
CCT:	3000/4000/6500K
Lifetime:	25000hrs
IP:	IP20
Operating temp:	-20°C ~ 50°C



Code	Power (W)	Lumen (lm)	Beam Angle	Packing QTY (pcs/CTN)
FSH806A2-50	50	4000/4500/4500	60°/110°	2
FSH806A2-100	100	8000/9000/9000	60°/110°	2
FSH806A2-150	150	12000/13500/13500	70°/110°	2
FSH806A2-200	200	16000/18000/18000	80°/110°	2