

Ceiling Mounted Ventilating Fans



20CQT1



15TGQZ



25TGQ7

Features

- Q-Blade design for perfect balance and quiet operation
- High efficiency for air flow and energy saving
- Ball bearing motor for smoother and durable operation
- Suitable for commercial and residential use

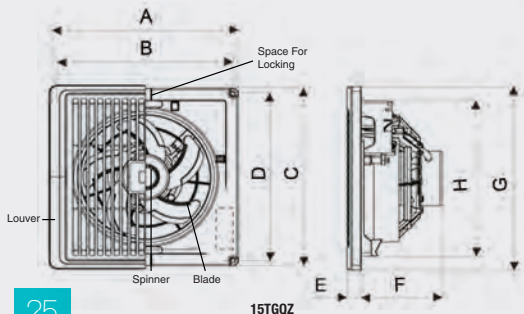
Specifications

Model	Dimension	RPM	CFM	Motor Rating	Motor W	Motor HP	Motor Type	Noise Level (dB)	Nett Weight (kg)
15TGQZ	6" / 15cm	1330	141	220-240V, 50Hz	12	-	Condenser	35	1.20
20CQT1	8" / 20cm	1207	265		25.7	-	Condenser	41	1.80
25TGQ7	10" / 25cm	959-1172	367		24.8-30.3	0.03	4 Pole Condenser	45	1.90

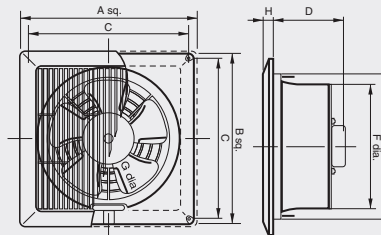
Dimensions (mm)

Model	A	B	C	D	E	F	G	H
15TGQZ	244	230	244	230	18	108	253	214
20CQT1	315	305	286	128	260	223	200	18
25TGQ7	250	355	336	177.5	365	272	310	117.5

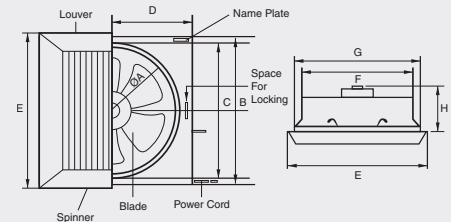
Dimensions



15TGQZ



20CQT1

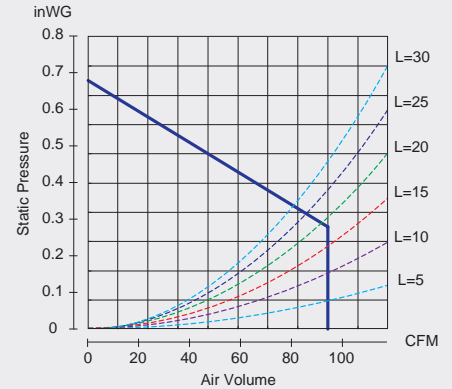


25TGQ7

Ceiling Mounted Sirocco Ventilating Fans



24JRB



Features

- **DC (Direct Current)** motor – Energy Saving
- Auto operation by Motion Sensor activated
- Constant airflow for 24-hour ventilating plan
- Variable speed selection
- Low noise with the distinctive design of Resonance-Noise-Absorption structure
- Taper blade design for strong and smooth performance
- Equipped with 15 minute delay timer

Specifications

Model	RPM	CFM	Motor Rating	Motor W	Motor Type	Noise Level (dB)	Nett Weight (kg)
24JRB	794	94	220-240V, 50Hz	8	DC	31	2.90

Dimensions (mm)

Model	A	B	C	D	E	F	G	H	I	J	K	L	Installation Space	Applicable Pipe
24JRB	278	255	140	180	339	230	12	300	94	100	98	45	240 x 240	Ø 100

Dimensions

